

## 2630 Series

### Cable, Wire and Rope Measuring Machine



**This robust machine measures the length of wire and other materials from 0.5mm (.0197) up to 15mm (.59in) diameter.**

The machine is equipped with two adjustable tension springs, mounted externally, which can be unhooked from their anchor. This allows the measuring head to be pivoted up to a backstop to facilitate threading the cable through the machine. If a shaft encoder is fitted, the output can be directed to any type of counter with an electronic input.

#### Key Features

- Continuous operation at up to 25 metres/sec (82 ft/sec) or 50 counts per second.
- Self lubricating bearings on both rollers.
- Heavy duty cast aluminium structure.
- Hardened steel inlet and outlet guides.
- Polyurethane covered measuring wheel fitted as standard.
- Can be interfaced to a data processing system.
- Totalising or predetermining counters available or encoder to pulse electronic counters.
- Additional counter or encoder can be fitted to keep a total while the main counter is reset.

#### Applications

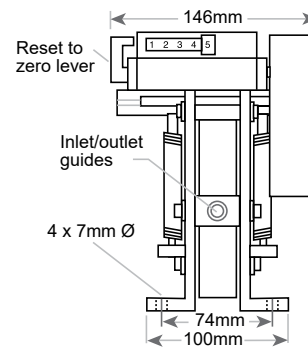
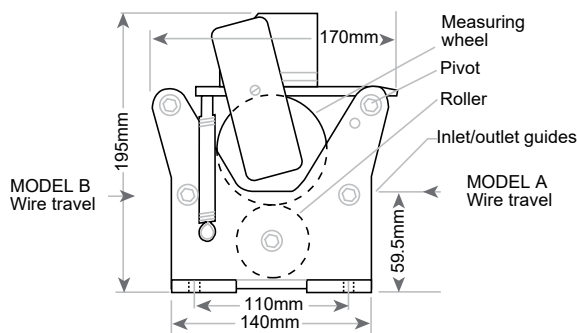
- Batching of wire from production for distribution on reels
- Field use in cable laying operations
- Cable TV installation (co-axial or fibre optic)
- Retail dispensing of short lengths (less than a full reel)

## Dimensions

<b>Cable Diameter Range</b>	0.5mm (.0197in) to 15mm (.59in)
<b>Measuring Wheel Circumference</b>	250mm
<b>Maximum Speed of Travel</b>	1500 metres/min or 3000 counts/min whichever is lower
<b>Units of Measurement Available</b>	Metres and centimetres, yards and eighths, or feet and inches
<b>Counters Type</b>	3602
<b>Packed Dimensions</b>	180mm (7.09in) x 200mm (7.87in) x 270mm (10.63in)
<b>Gross Weight</b>	3.0kg (6.6lb)

## Dimensions

280mm(W) x 260mm(H) x 466mm(D)



## Length Measuring Ordering Information

To order a 2630 Cable & Wire Measuring Machine select unit of measurement and material travel.

**Unit of measurement** (Select and add code to 2630-132?)

- C Metres/Centimetres
- F Feet and Inches

**Material travel** (Select and add code to 2630-132X?)

- A for material travelling towards the operator
- B for material travelling away from the operator

e.g. 2630-132CA = Cable & wire measurer displaying in metres/centimetres, material travelling towards the operator



**Trumeter (Europe)**  
Pilot Mill  
Alfred Street  
Bury,  
BL9 9EF  
Tel: +44 161 674 0960  
Email: sales.uk@trumeter.com

**Trumeter (The Americas)**  
702 S. Military Trail  
Deerfield Beach, Florida  
FL 33442,  
USA  
Tel: +1 954 725 6699  
Email: sales.usa@trumeter.com

**Innovative Design Technologies Sdn. Bhd**  
Lot 5881, Lorong Iks Bukit Minyak 1  
Taman Perindustrian Iks, 14000 Bukit Tengah  
Penang, Malaysia  
Web: www.idtworld.com  
Tel: + 604 5015700  
Email: sales.my@idtworld.com