

Robust wire measuring machine designed for continuous high speed operation



2630

This robust machine measures the length of wire and other materials up to 15mm (0.59in) diameter. The 250mm circumference, precision ground measuring wheel runs in self lubricating bearings.

- **Continuous operation at up to 25 metres/sec (82 ft/sec) or 50 counts per second.**
- **Self lubricating bearings on both rollers.**
- **Heavy duty cast aluminium structure.**
- **Hardened steel inlet and outlet guides.**
- **Polyurethane covered measuring wheel fitted as standard.**
- **Can be interfaced to a data processing system.**
- **Totalising or predetermining counters available or encoder to pulse electronic counters.**
- **Additional counter or encoder can be fitted to keep a total while the main counter is reset.**

The machine is equipped with two adjustable tension springs, mounted externally, which can be unhooked from their anchor. This allows the measuring head to be pivoted up to a backstop to facilitate threading the cable through the machine.

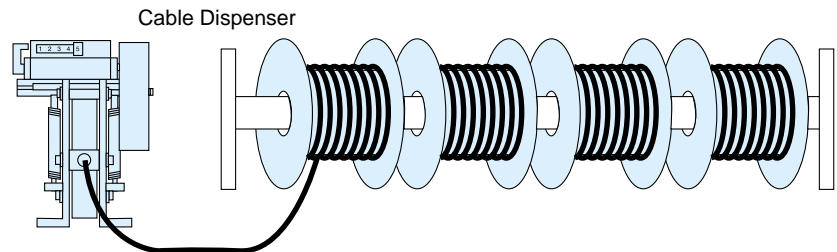
When in position, these springs grip the cable between the measuring roller and the bottom roller. They should be adjusted for the minimum tension required to prevent slippage.

Any of the standard duty 3000 series mechanical revolution counters or shaft encoders described in section 1 of this catalogue can be fitted to this machine (listed specifically in the specification). If a shaft encoder is fitted, the output can be directed to any type of counter with an electronic input.

Typical Application

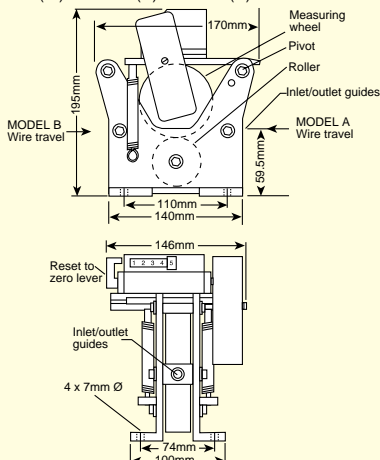
- *Batching of wire from production for distribution on reels
- *Field use in cable laying operations
- *Cable TV installation (co-axial or fibre optic)
- *Retail dispensing of short lengths (less than a full reel)

Cable Measurement



Dimensions

280mm(W) x 260mm(H) x 466mm(D)



Specification

- Maximum Wire Diameter**
15mm (0.59in)
- Measuring Wheel Circumference**
250mm
- Maximum Speed of Travel**
1500 metres/min (4921 ft/min) or 3000 counts/minute whichever is lower
- Counters/Encoders Available for Direct Connection**
3002 counter or the 8812 shaft encoder. Other counters may be available to special order
- Units of Measurement**
Metres/centimetres, yards/eighths or feet/inches
- Packed Dimensions**
180mm (7.09in) x 200mm (7.87in) x 270mm (10.63in)
- Gross Weight**
3.0kg (6.6lb)

Ordering Information

See page 10.13 for ordering information

Note

Where 3002 counter is specified with centimetres this is indicated on the right hand figure wheel as below

