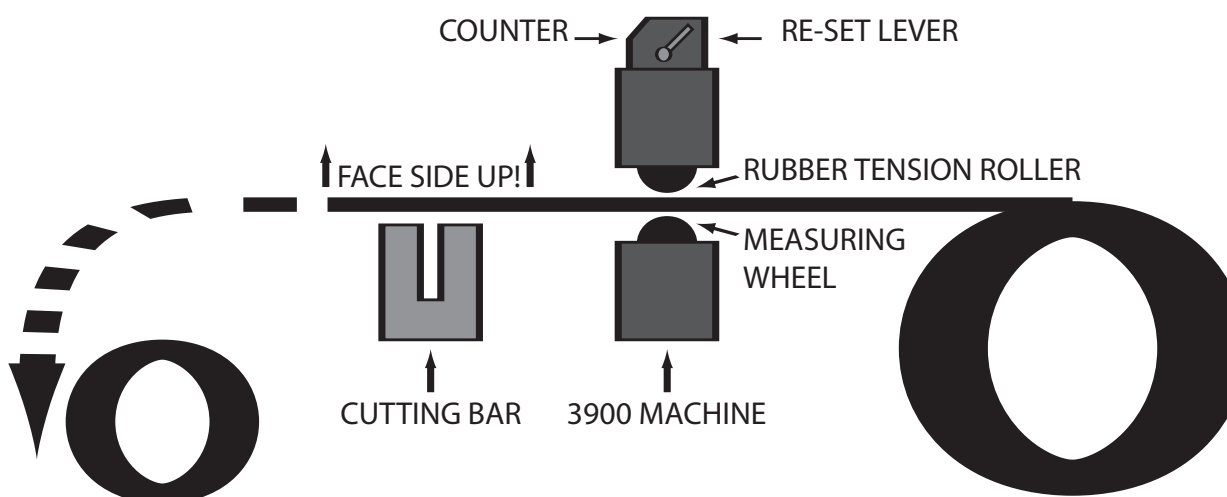


OPERATING INSTRUCTIONS

TRUMEAURE 3900

THE LENGTH MEASURING MACHINE APPROVED FOR RETAIL USE

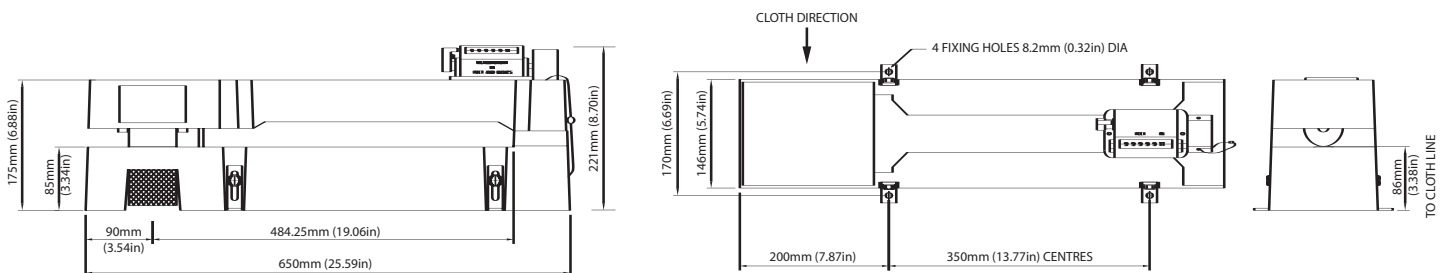
1. Locate floorcovering roll so that the leading edge is level with the measuring machine and cutting bar. If not level, incorrect measurement will result - see illustration. All floorcovering must be measured face side upwards.
2. Carefully pull the leading edge toward you, bringing it between the upper, rubber tension roller and the lower, measuring wheel, until the leading edge lines up with the slot in the cutting bar.
3. Clamp down the floorcovering, using the two clamps located at each end of the cutting bar.
4. Set the counter to zero by pushing the reset lever once.
5. Release the clamps and pull the floorcovering towards you, in order to tape it to the roll-up roller, if required.
6. Roll off the floorcovering at a constant speed, keeping the counter in sight, until required length is indicated on the counter. If you roll past the required length, simply roll back the surplus length to the required length, as the counter also subtracts.
7. Clamp down the floor covering again, using the same two clamps, before carefully making your cut along the cutting bar.



TRUMETER 3900

FEATURES

- Precision engineered by Trumeter to the highest standards of accuracy and durability - backed by 60 years worldwide experience of length measurement.
- Knurled aluminium measuring roller in the base - sealed and stamped to prevent removal by unauthorised personnel.
- Adjustable spring loaded pressure roller in the top arm - designed to prevent unauthorised adjustment after initial setting.
- Simple, push lever resetting to zero or disabled for overall totalising only - up to 9999,99 metres/cm - with black on white numerals for centimetres.
- Integral 18 ratchet mechanical brake wheel to prevent overspin at the end of a piece; releases automatically when a further piece is passed through the rollers.



RE-ORDERING DETAILS

To order further machines, please quote model number 3900B (metric)

CALIBRATION SERVICES

In the UK, Trumeter provide sophisticated on-site or factory Calibration Services, together with formal Certificates of Calibration. Inspections and tests are performed with equipment that is traceable and calibrated to national standards. All procedures comply with ISO 9002.

SERVICE FACILITIES

Annual service contracts are available either on site, or on a return to factory basis.



Trumeter Technologies Ltd tel +44 (0)161 705 4317
Trumeter House fax +44 (0)161 705 4319
Hornby Street email info@trumeter.com
Bury web www.trumeter.com
BL9 5BW